

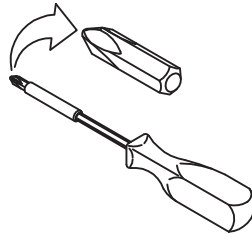
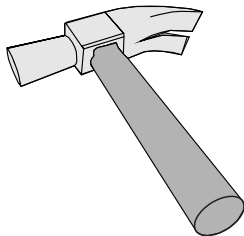
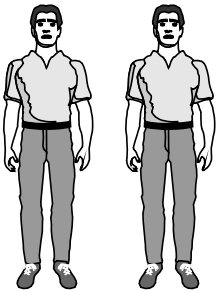
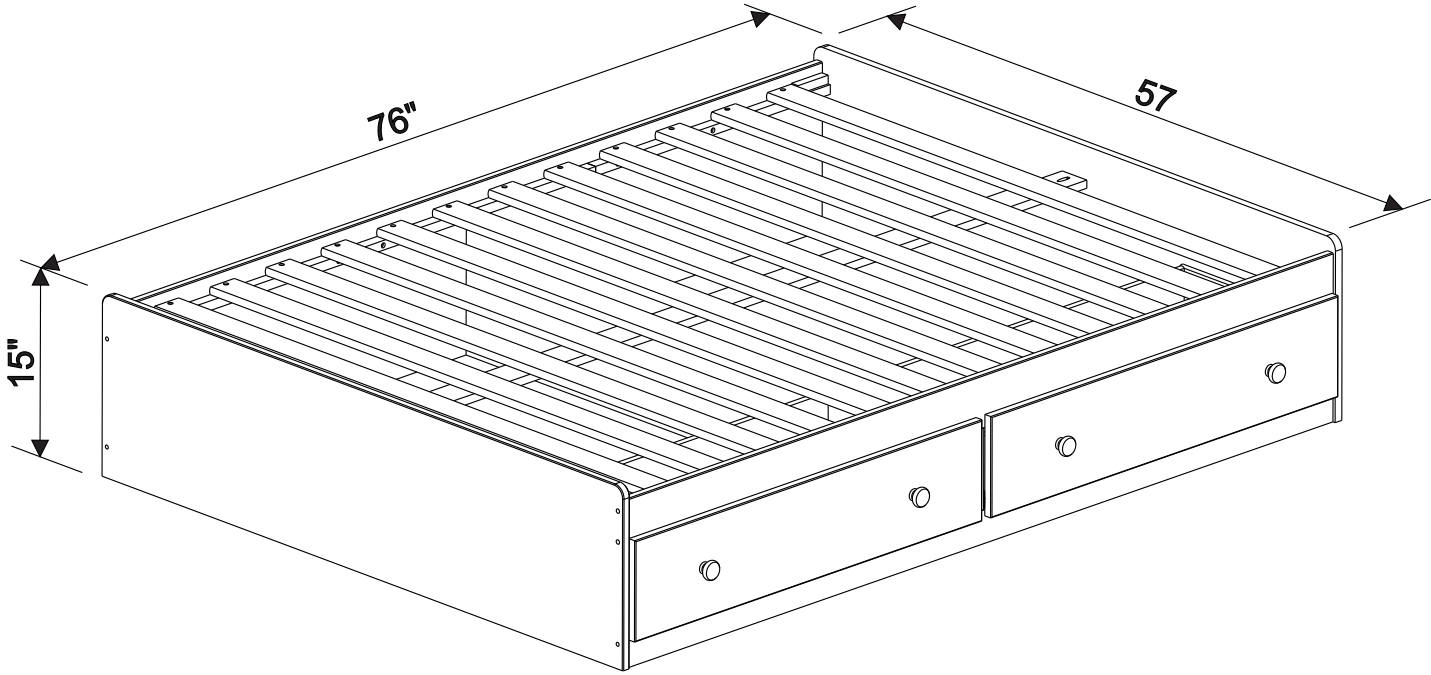
ASSEMBLY INSTRUCTIONS

KANSAS FULL MATE'S BED

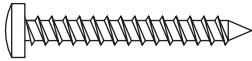

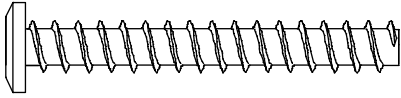
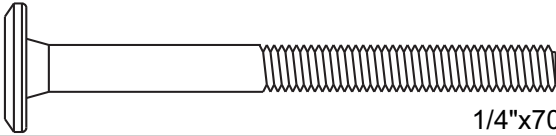

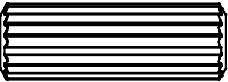
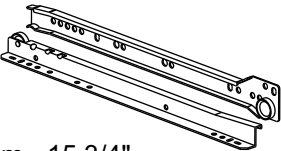
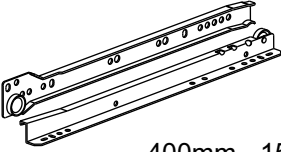


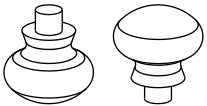
SKU 2442 - Mahogany

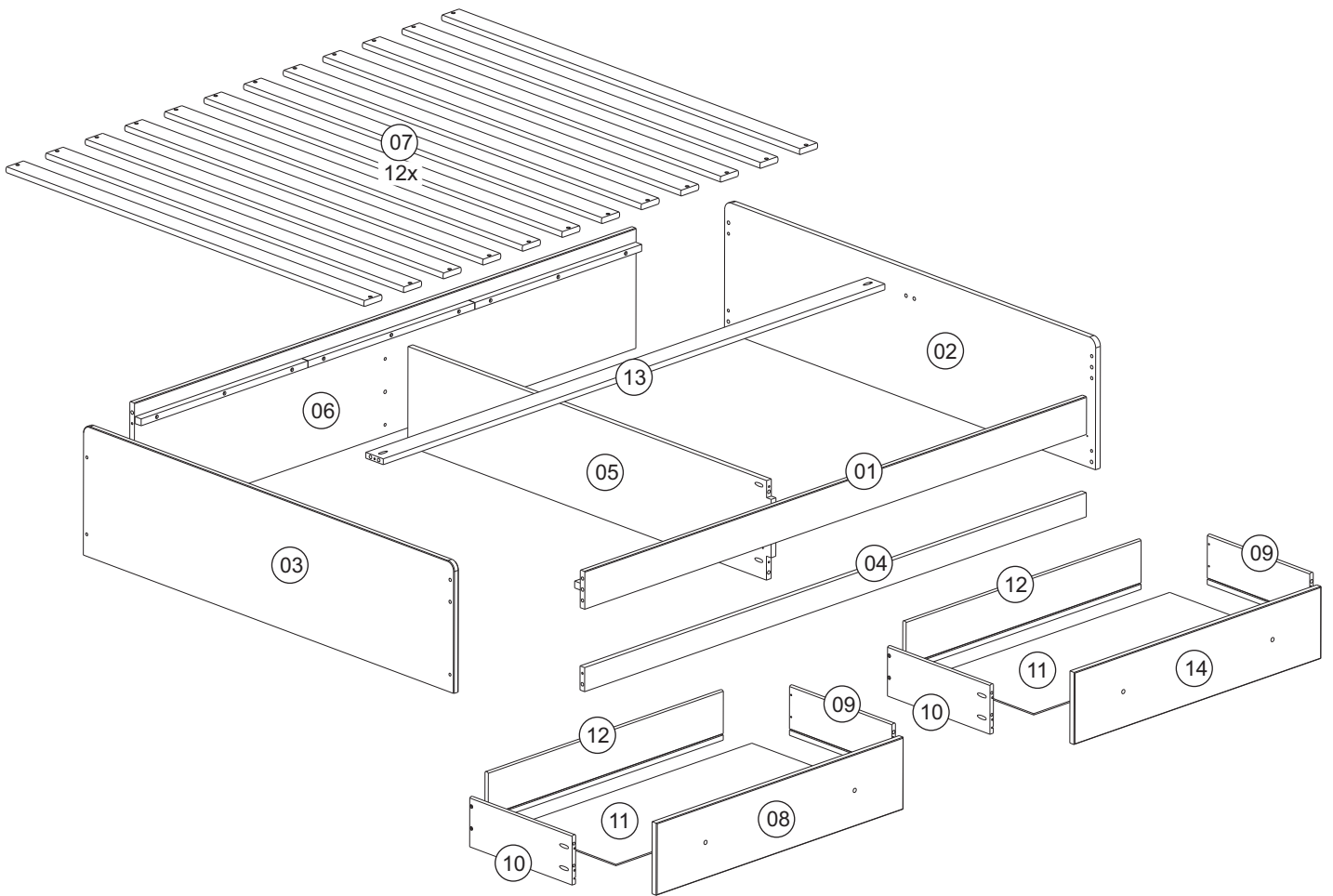
SKU 2444 - Honey Pine

SKU 2446 - Java

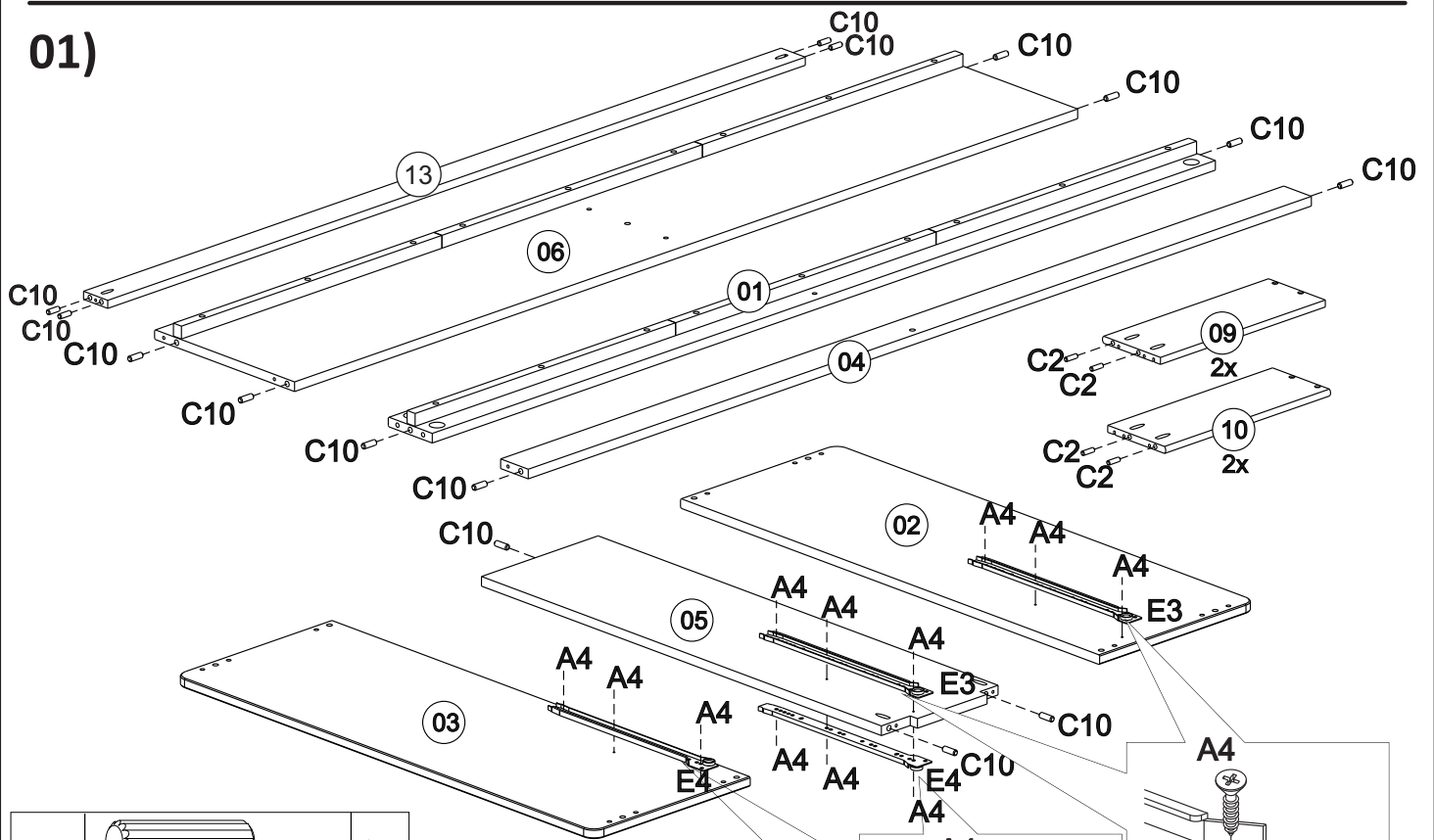


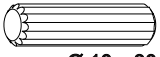
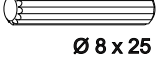
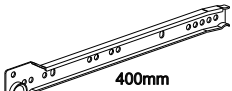
HARDWARE IS SHOWN IN ACTUAL SIZE

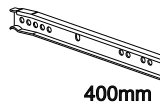

A1	 4,0x30	48
A4	 3,5x14	20
B5	1/4"	04
B8	 7,0x50	08
B18	 1/4"x70	04
C2	 8,0x25	08
C10	 10x30	15
E3	 400mm - 15 3/4"	02
E4	 400mm - 15 3/4"	02
G3		01
G4	 space block	02
H1		04

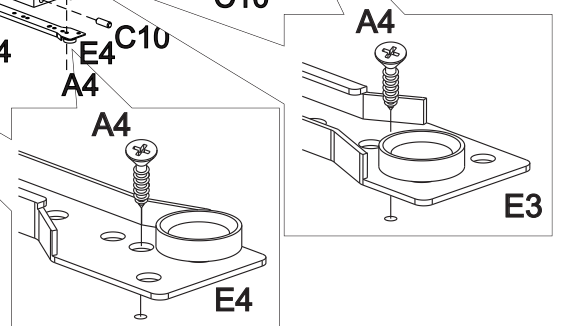


01)

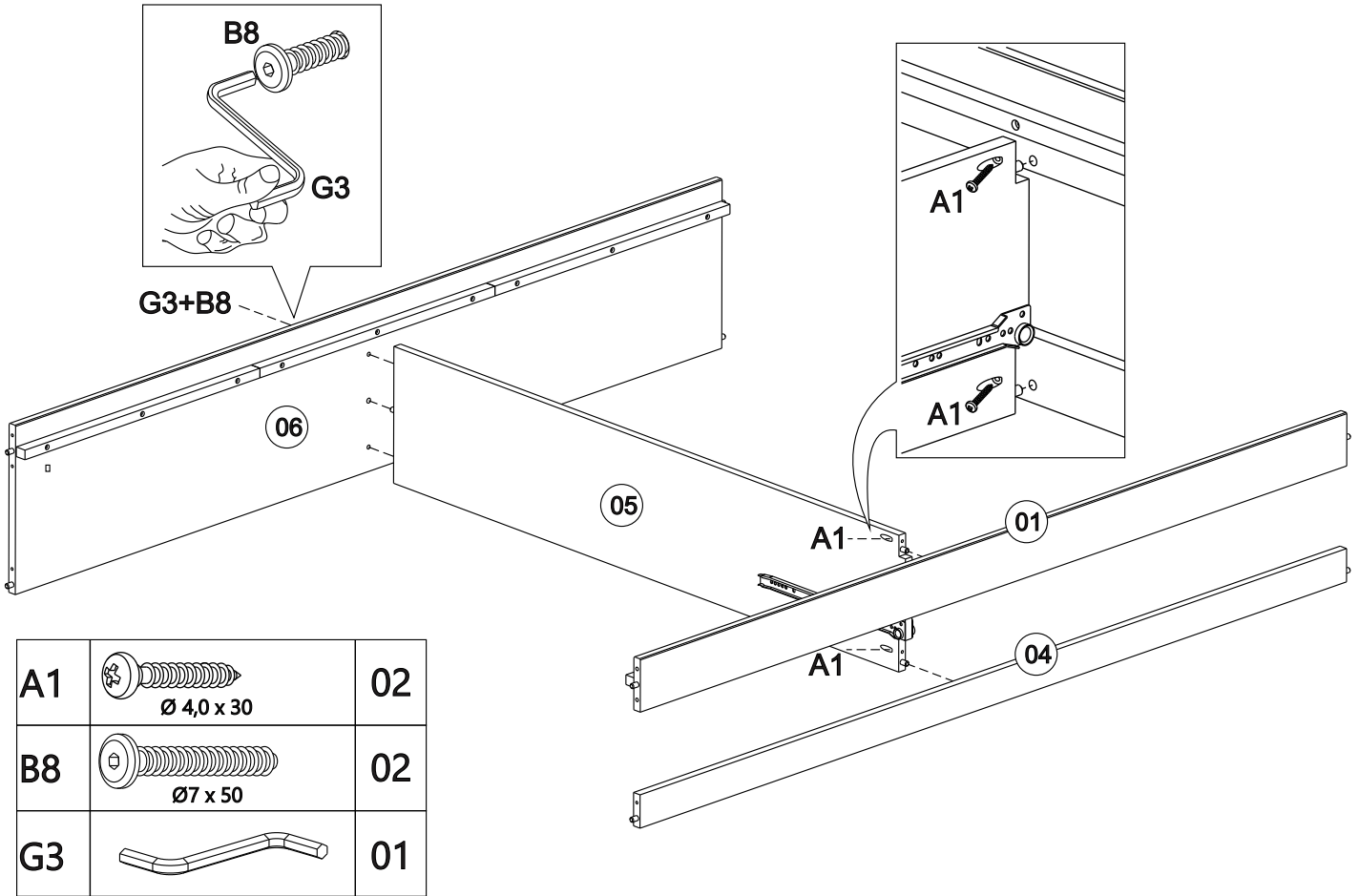


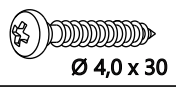
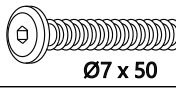
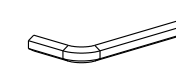
C10	 Ø 10 x 30	15
C2	 Ø 8 x 25	08
E4	 400mm	02

E3	 400mm	02
A4	 Ø3,5 x 14	12

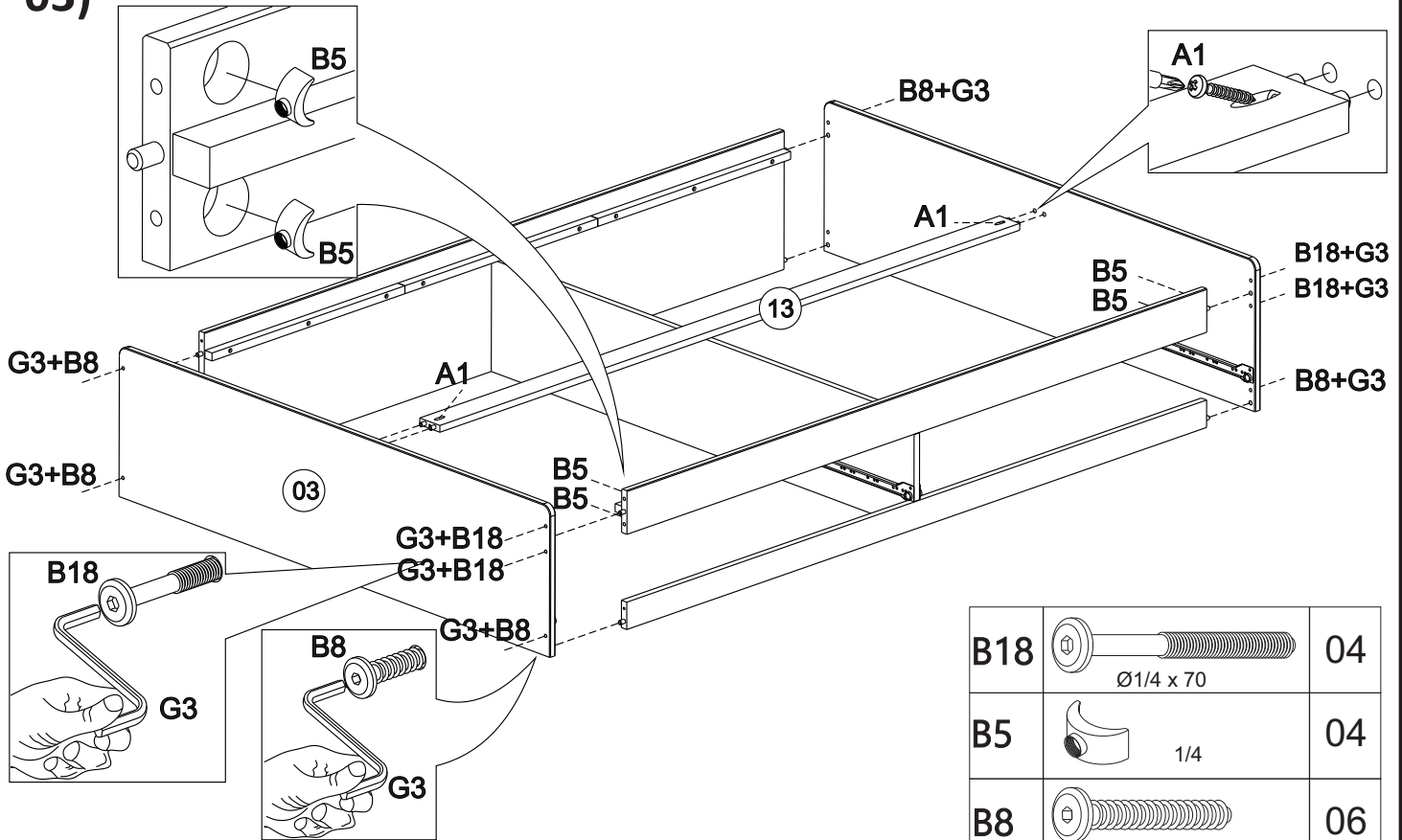


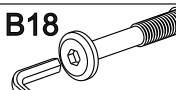



02)




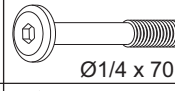
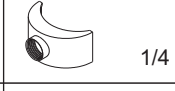
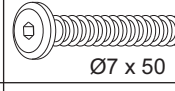

A1		02
B8		02
G3		01

03)

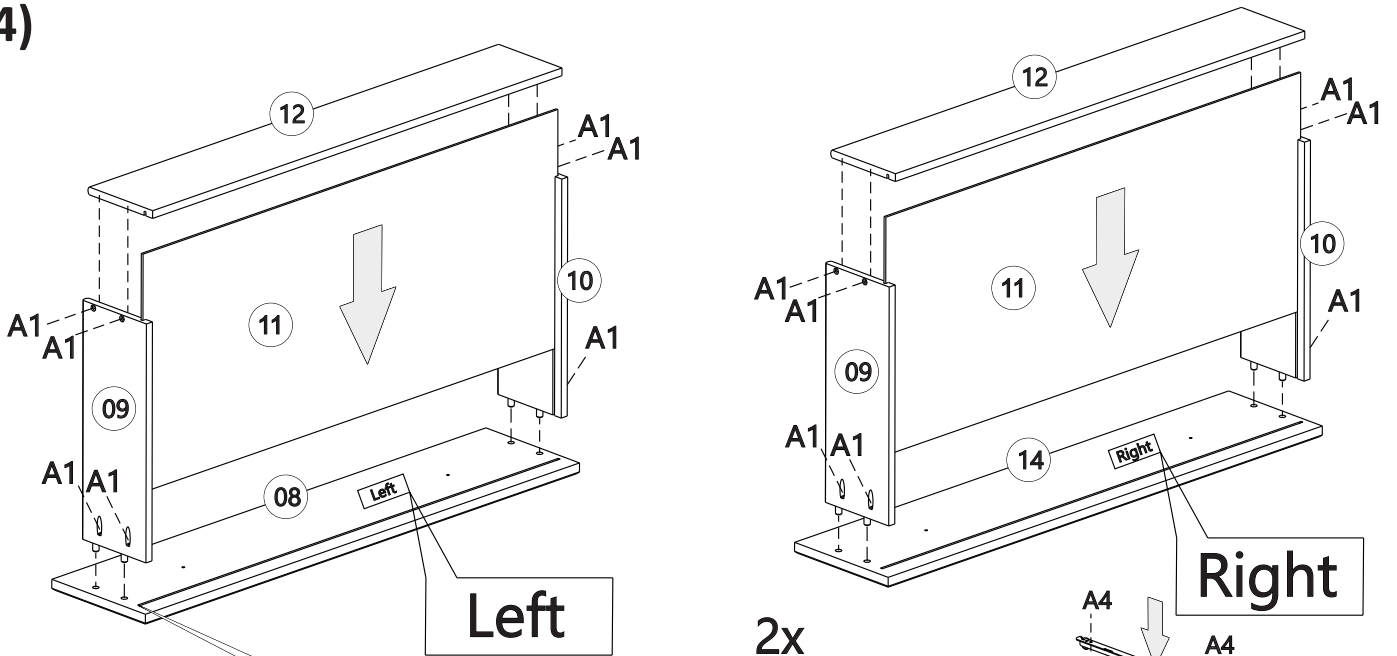



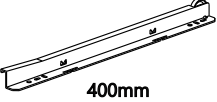
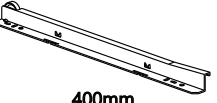
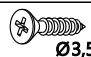
B18		04
B5		04
B8		06
G3		01

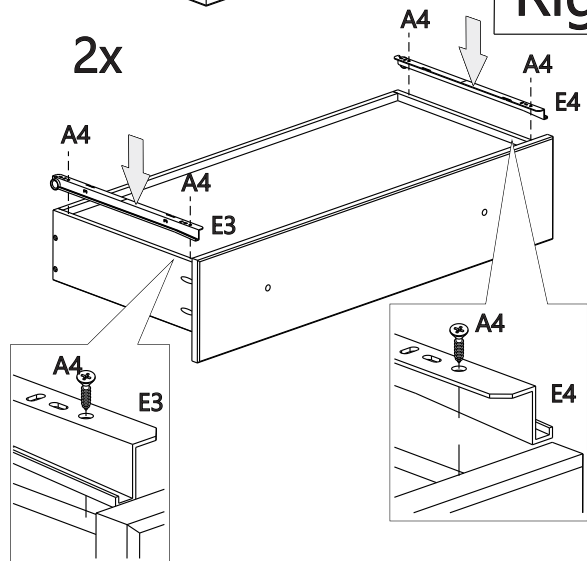
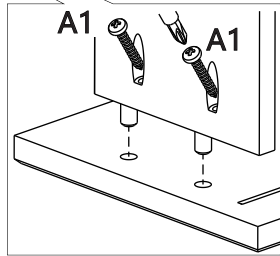
A1		02
----	---	----

B18		04
B5		04
B8		06
G3		01

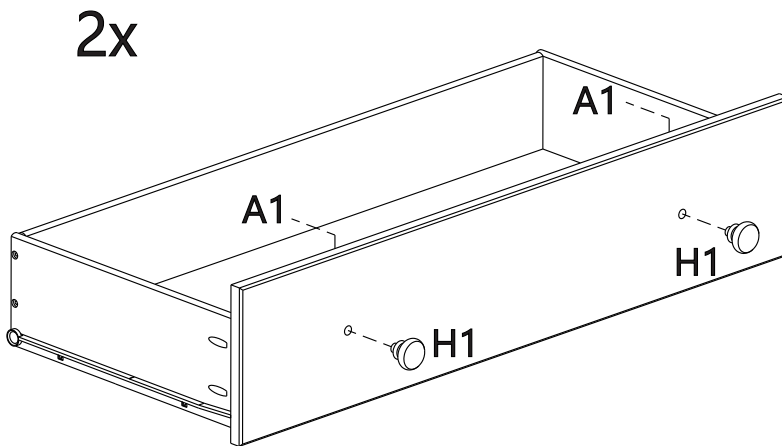
04)





A1		16
E4		02
E3		02
A4		08

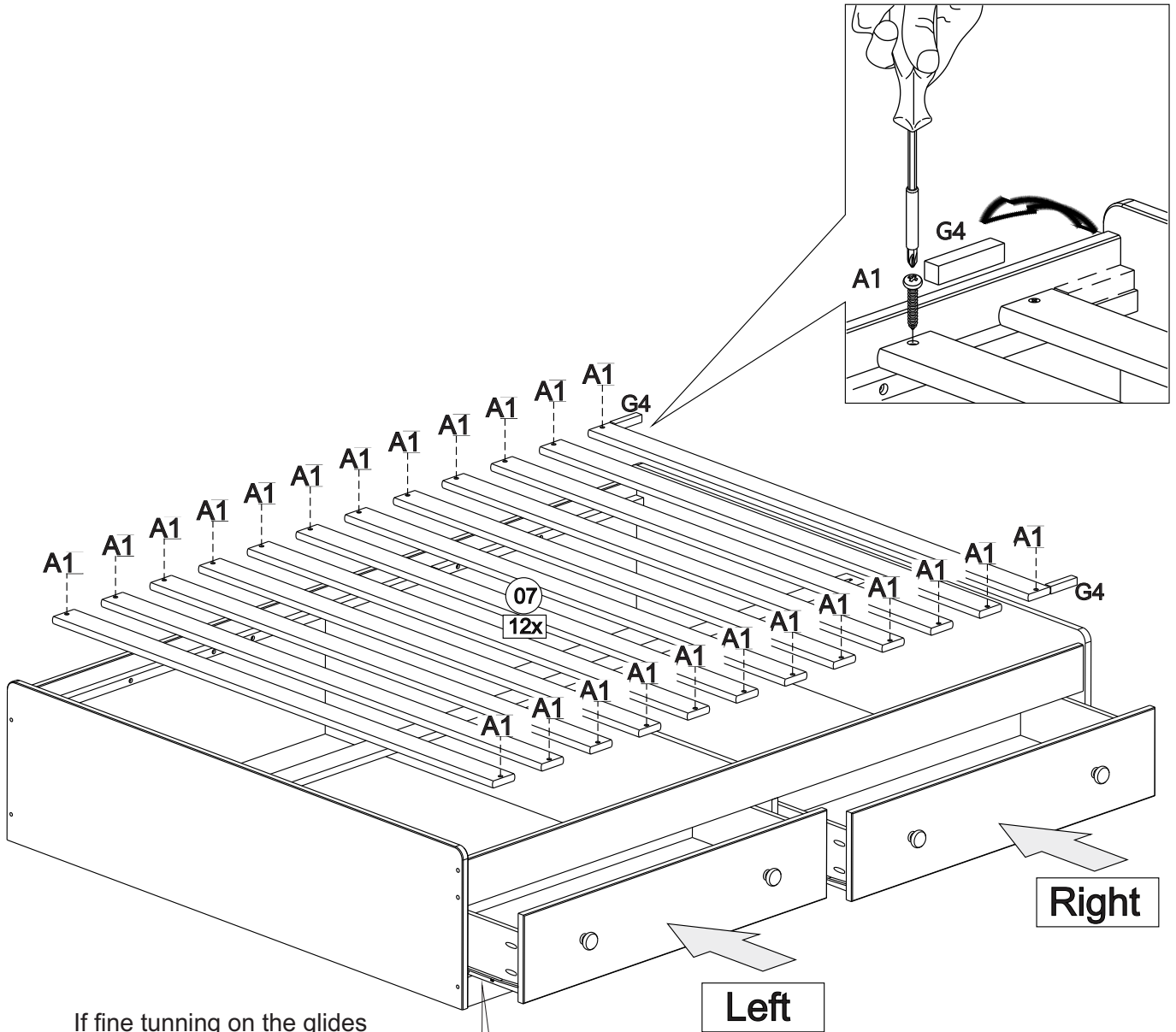


05)

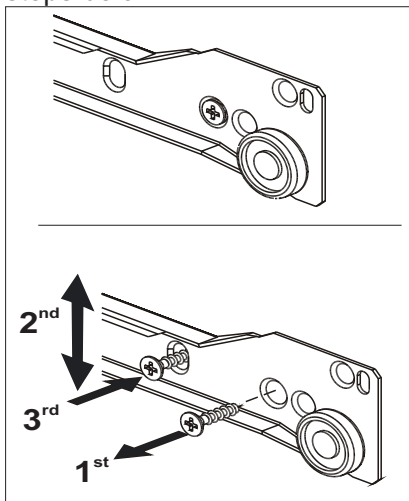


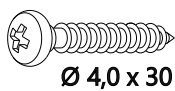

A1		04
H1		04

06)



If fine tuning on the glides is needed please follow the steps below



A1	 Ø 4,0 x 30	24
G4		02